

WOOFER

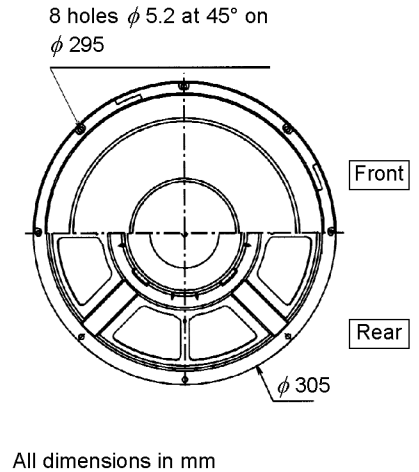
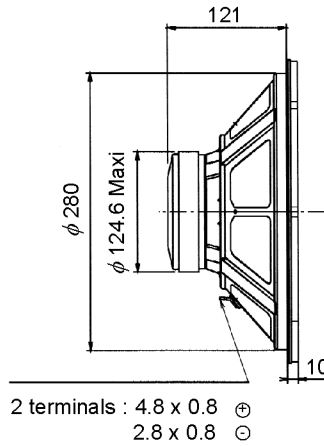
101967X

12" PAPER CONE DRIVER - 300 mm

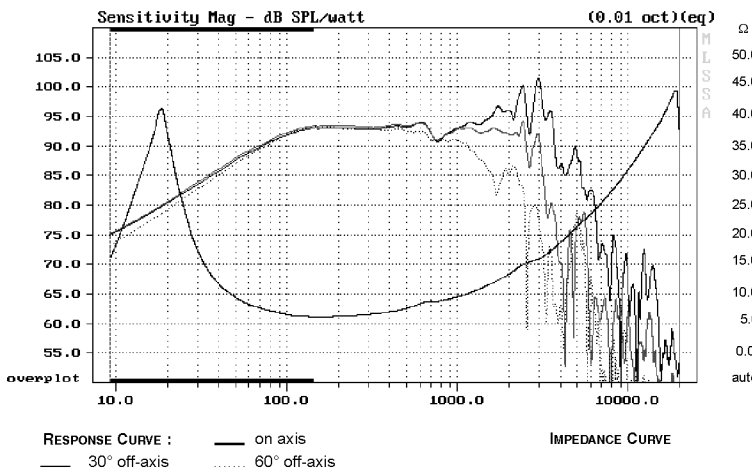


May '98

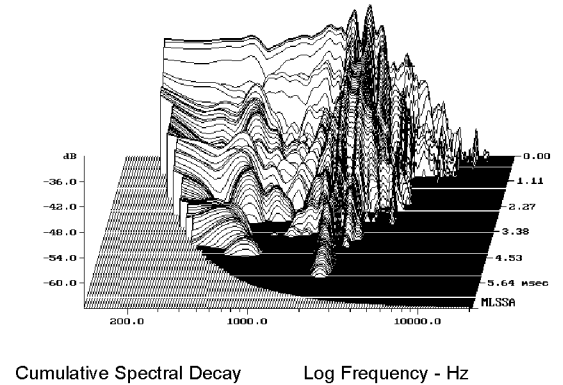
- Low resonance - 17 Hz
- Heavy duty stamped steel chassis
- Paper cone - Foam suspension
- Long excursion - Bumped back plate
- High efficiency (93 dB)
- High temperature voice coil
- Black passivated magnet system assembly for heat dissipation



Response Curve



Waterfall



SPECIFICATIONS

Technical characteristics	Symbol	Value	Units
PRIMARY APPLICATION			
Nominal Impedance	Z	8	Ω
Resonance Frequency	Fs	17	Hz
Nominal Power Handling	P	120	W
Sensitivity	E	93	dB
VOICE COIL			
Voice Coil Diameter	ϕ	45	mm
Minimum Impedance	Zmin	6,2	Ω
DC Resistance	Re	5,4	Ω
Voice Coil Inductance	Lbm	0,82	mH
Voice Coil Length	h	15,5	mm
Former	-	aluminium	-
Number of Layers	n	2	-

MAGNET

Magnet Dimensions	ϕ x h	120 x 20	mm
Magnet Weight	m	0,88	kg
Flux Density	B	1,2	T
Force Factor	BL	8,9	NA ⁻¹
Height of Magnetic Gap	He	6	mm
Stray Flux	Fmag	-	Am ⁻¹
Linear Excursion	Xmax	± 5	mm

PARAMETERS

Suspension Compliance	Cms	0,23.10 ³	mN ⁻¹
Mechanical Q Factor	Qms	1,88	-
Electrical Q Factor	Qes	0,27	-
Total Q Factor	Qts	0,24	-
Mechanical Resistance	Rms	-	kg s ⁻¹
Moving Mass	Mms	38.10 ⁻³	kg
Effective Piston Area	S	5,3.10 ⁻²	m ²
Volume Equivalent of Air at Cas	Vas	927.10 ³	m ³
Mass of Speaker	M	2,885	kg

Suggested Applications

Vb	Fb	Dp	Lp	F-3
liters	Hz	cm	cm	Hz
150	27	6,6	4,5	37
100	17	-	-	48